

# Operating Intruaction 2340

version 03/21

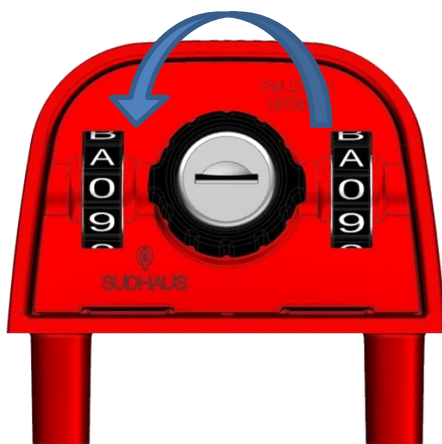
## Start Up

- To open for the first use enter the factory set code:

**0** (left) **0** (right)



- Turn knob to the left until turn **over** the resistance and **hold**



- In this button position turn the number wheels to the new code
- Release the knob
- **New Code** is now saved

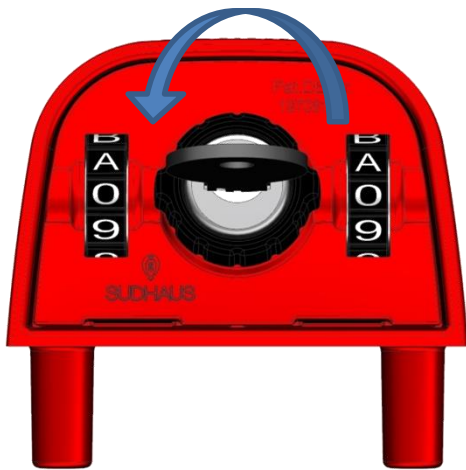


# Operating Intruaction 2340



## Emergency opening

- Insert the key



- Turn key to the left, until turn stop
- Lock opened without the set code is known

## General Information

- The factory code **0** (left) **0** (right) should be changed immediately for safety reasons.
- Make a note for these new numbers and keep it in a safe place.
- In case of lost the code the lock can be opened via master key.
- Use only a damp cloth for cleaning. Do not use chemical products.
- Do not oil or grease the lock and number wheels!

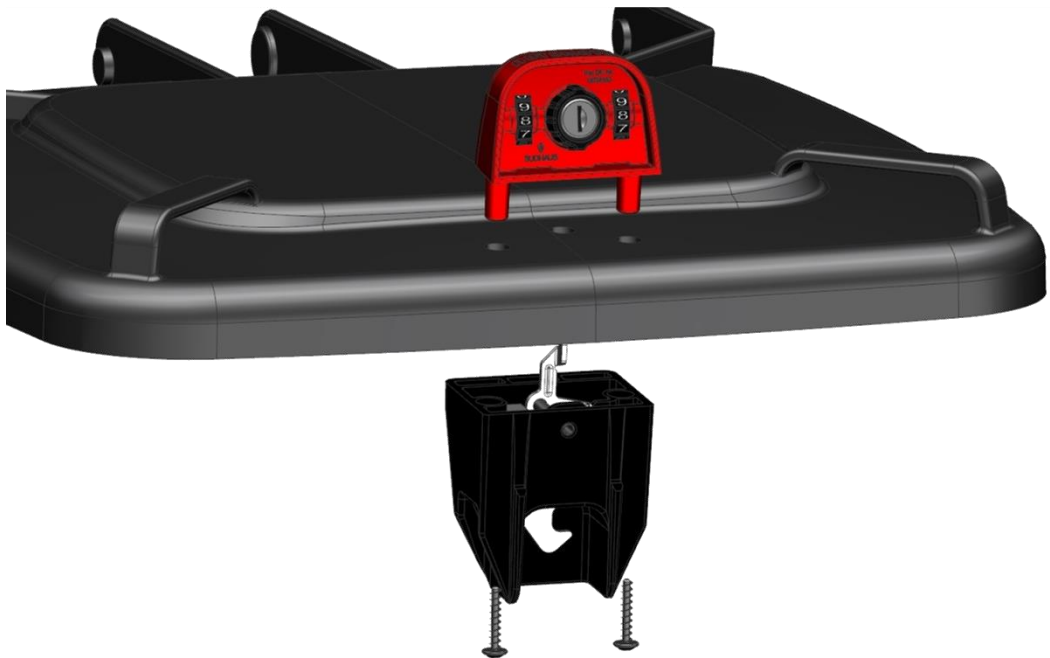
## Code Finding 2340

1



Open lock with the key

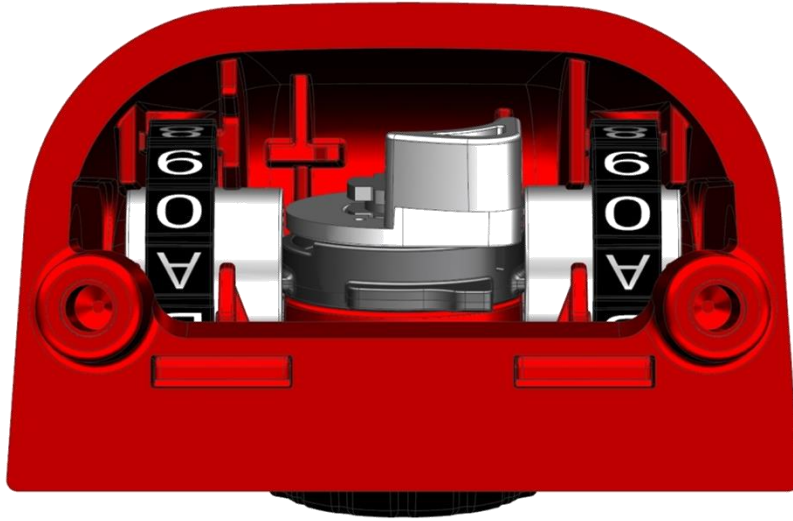
2



Open the lid and unscrew the upper lock part from below

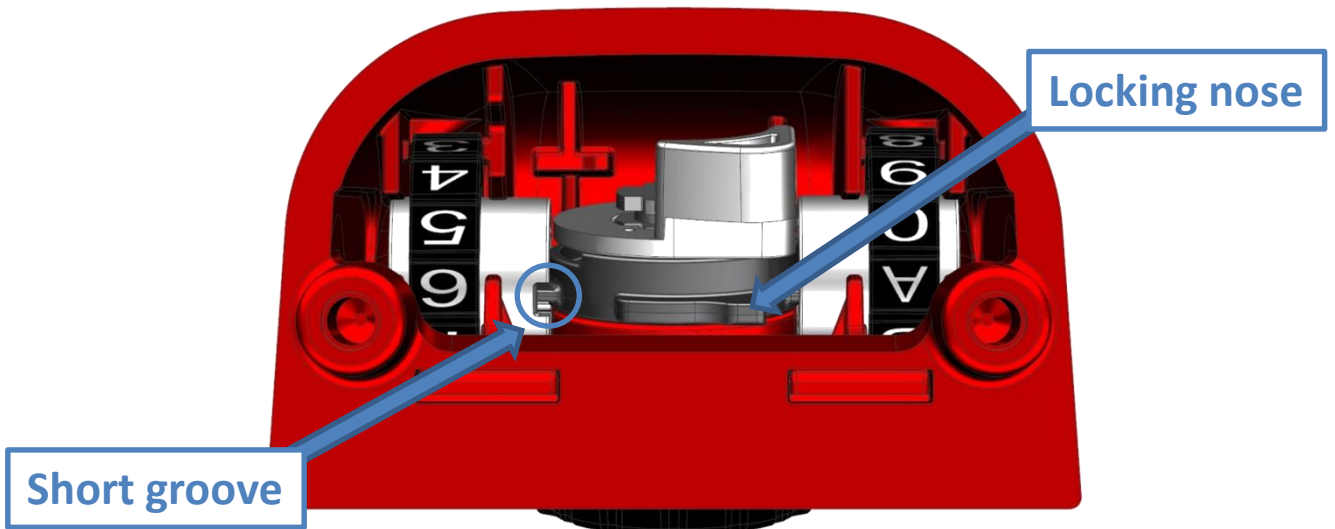
## Code Finding 2340

3



Look into the upper part of the lock from below so that the rotary knob points in your direction

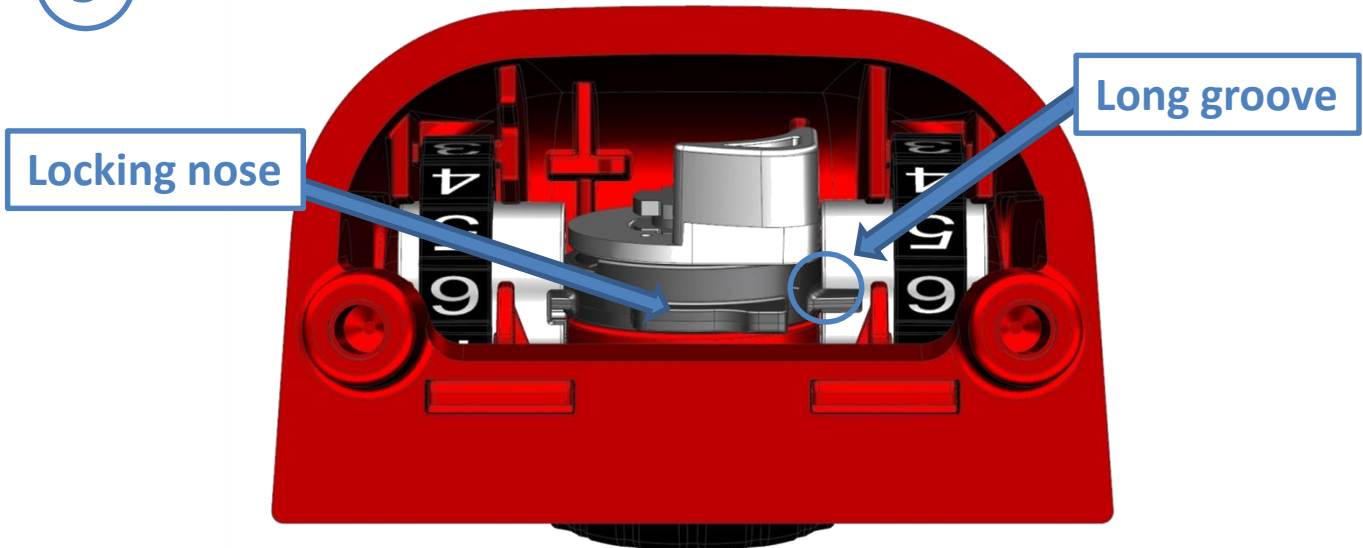
4



Turn the left-hand number wheel until the **short groove** of the number wheel is above the locking nose of the rotary knob

## Code Finding 2340

5



Turn the right-hand number wheel until the **long groove** of the number wheel is above the locking nose of the rotary knob

6



Turn the rotary knob to check. The last code is found